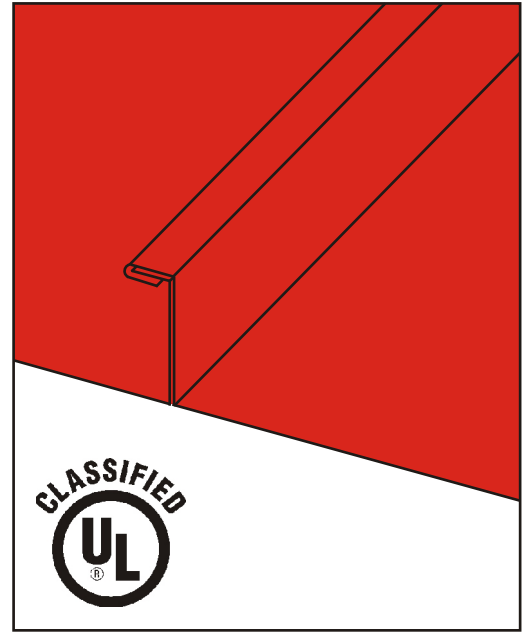


# MP-200 Panel

- Architectural (solid substrate) or structural applications
- Mechanically seamed sidelap with option of single or double lock
- Low to high sloped roof applications
- Continuous panel lengths. Field forming available.
- Bold roof lines with 2" seam height
- Concealed clip (fixed or expansion)
- Optional shop applied non-curing sealant
- ASTM E-1680-95 air infiltration tested
- ASTM E-1646-95 water penetration tested
- ASTM E-1592 tested for structural performance
- UL-90 uplift resistance classified assemblies
- Highest negative wind loads achieved with double lock seam
- Standard finish is PVDF fluoropolymer coating in 29 standard colors (Custom colors available)
- 20 year finish warranty
- Cool Roof colors available (24 colors). Meets EPA Energy Star Products Program performance criteria.



## Panel Profile

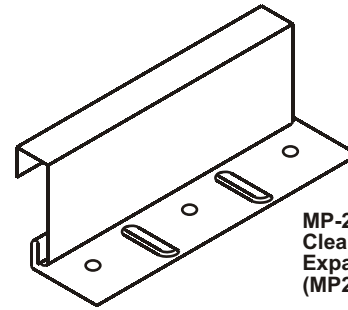
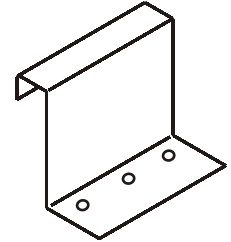


| Material     | Standard Width | Optional Widths |
|--------------|----------------|-----------------|
| 24 ga. Steel | 16", 18"       | 12", 14"        |
| 22 ga. Steel | 16"            |                 |

Optional widths require minimum quantities and slightly longer lead times. Other materials are available. Minimum quantities apply. Custom widths are available. Consult MPSI for costs and lead times. Oil canning: Metal Panel Systems, Inc. purchases prime commercial grade light gauge metal which is manufactured to all industry accepted tolerances. "Oil canning" is an inherent part of light gauge cold formed panels and is not cause for rejection.

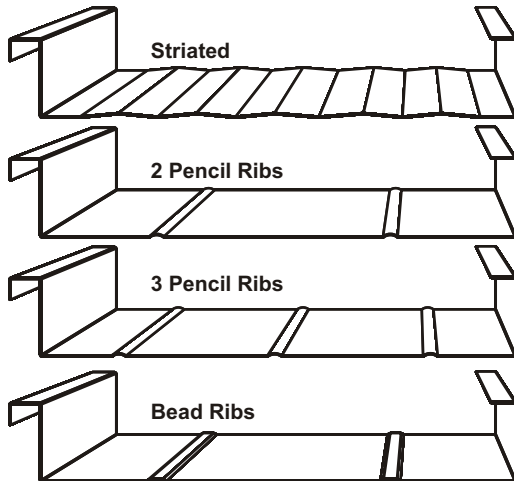
## Clip Options

MP-200 Fixed Clip (MP200FC)



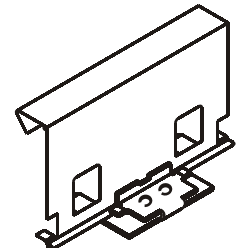
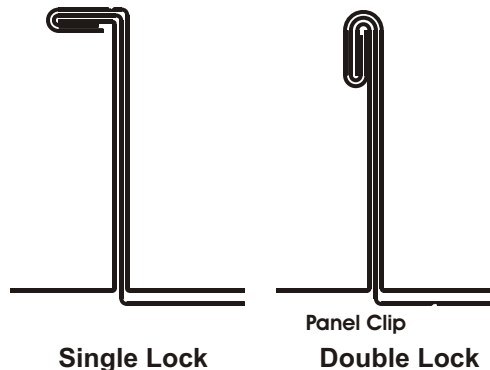
MP-200 Zero Clearance Expansion Clip (MP200ZCEC)

## Optional Surface Patterns



## Optional Seam Profiles

Optional Factory Applied Sealant



MP-200 Standard Expansion Clip with 3/8" Clearance (MP200SEC)