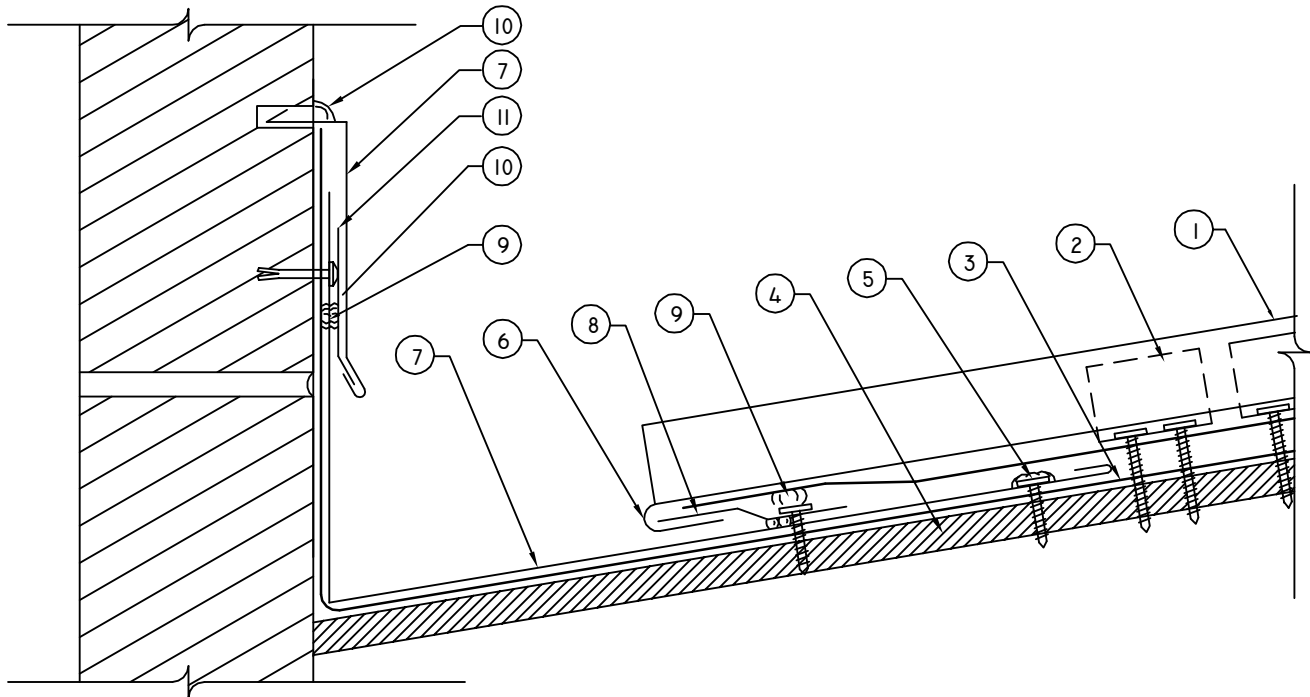


LOWWALL DETAIL

PLYWOOD SHEATHING



- 1 ROOF SYSTEM
- 2 PANEL CLIP WITH FASTENER. INSTALL 2 CLIPS AT EAVE TYPICAL
- 3 SINGLE LAYER OF REQUIRED ICE & WATER SHIELD
- 4 PLYWOOD SUBSTRAIGHT
- 5 10x1" PANCAKE HEAD WOOD SCREW, INSTALL 12" O.C. STAGGERED
- 6 CUT BACK VERTICAL LEGS AND FIELD FORM PANEL AROUND OFFSET CLEAT
- 7 PARAPET LOW WALL FLASHING, 4" END LAPS WITH CONT. CAULK AT LAPS
- 8 CONTINUOUS BEAD OF SEALANT BETWEEN ICE & WATER SHIELD AND FLASHING
- 9 CONTINUOUS BEAD OF SEALANT

G800-PS
1/2010

Metal Panel Systems, Inc.

CINCINNATI, OHIO 800-554-6126 513-554-6120 Fax 513-554-6121
DETAILS AND INSTRUCTIONS SUBJECT TO CHANGE WITHOUT NOTICE. CONTACT MPSI FOR SPECIFIC PROJECT DETAILS.